

CESCO roller belt conveyors are designed with flexible concept and modular design, for gentle horizontal or slightly inclined conveying of cereals, meals, pellets, and granular products in general. They realise the completely closed conveying of the product, even in reversible mode, with zero loss during the conveying, easy cleaning, maintenance, and safety during operation thanks the complete bolted system used.

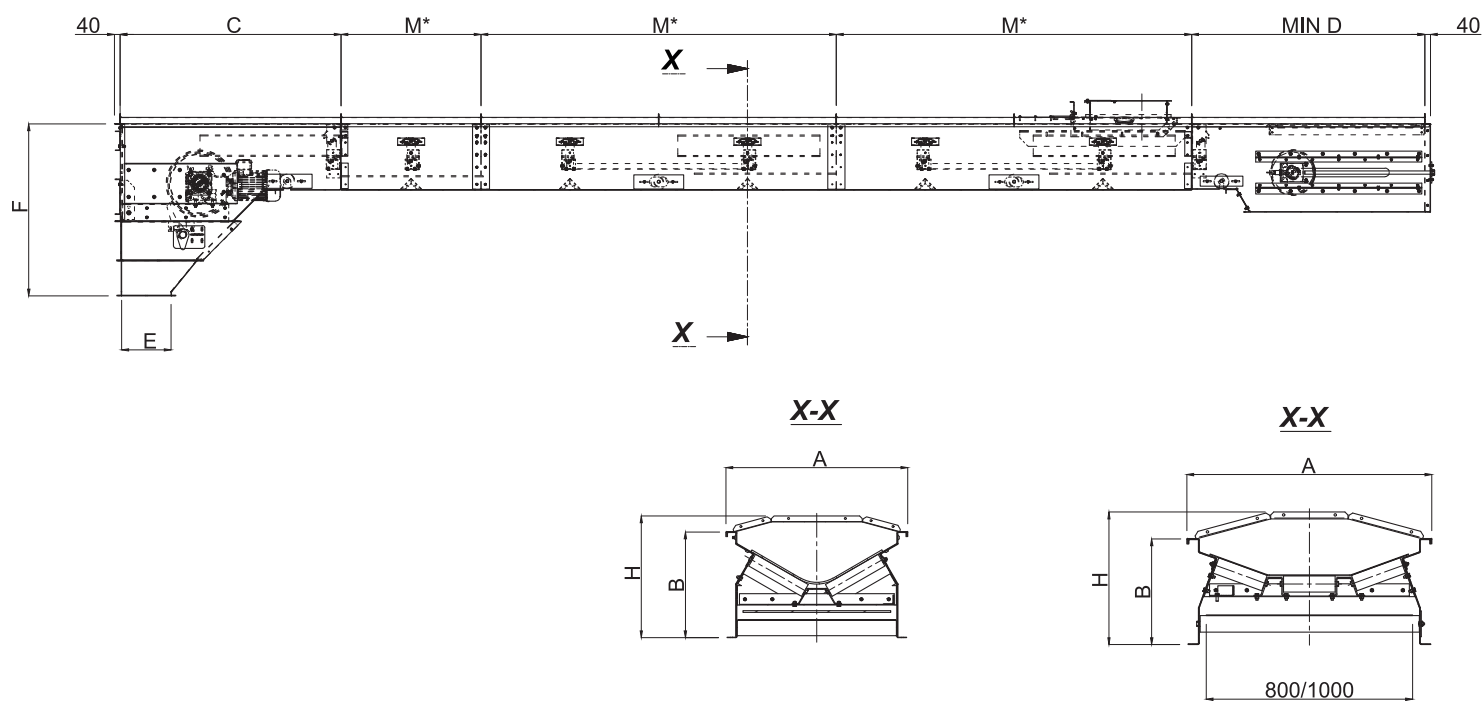
They are designed with particular attention to the shape of the internal part of the casing, in order to prevent any deposit of the product at the end of the conveying operation, allow long conveying length with low energy consumption and long machine life.

GENERAL CHARACTERISTICS

- Drive station equipped with belt scrapers.
- Tail station equipped with screw tensioning device of the belt up to 60 m length, and with counterweight tensioning device for longer configurations.
- Belt running on 2-rolls or 3 rolls transoms and permanently cleaned by internal and external belt scrapers.
- Tripper available for applications with several unloading stations running along the conveyor frame.
- Watertight external top cover realized by hot dip galvanized corrugated steel sheet, suitable for outside installation and fixed by bolts.

Technical data					
Capacity		RBC500M	RBC650M	RBC800M	RBC1000M
(Bulk density 750 kg/m ³) weight	Weight	100 t/h	150 t/h	250 t/h	400 t/h
	Volume	134 m ³ /h	200 m ³ /h	333 m ³ /h	533 m ³ /h
Belt speed	Nominal	2.0 m/s			
Drive unit		Single or double right angle gearmotor with backstop			
Sound pressure level		Up to 77 dB(A)			
Operating conditions		-15°C to +40°C ambient			

Materials			
Casing	Standard	Pre-galvanised high tensile steel S235 Z450	
	Optional	Pre-galvanised S235 Z600 Hot-dip-galvanised S235 Z900 Stainless steel Painted steel	
Belt	Standard	Oil-resistant acc. DIN22102 Self-extinguishing acc. DIN22103 Antistatic acc. DIN22104 Polyester polyamide fabrics Black color	
	Optional	Food-safe White color PVC material	
Idlers	Conveying	Steel	1000 mm spacing
	Impact	Steel with rubber rings	350 mm spacing
	Return	Steel with rubber rings	2000 mm spacing
Sensors	Standard	Rotation sensor	
	Optional	Misalignment sensor Overflow sensor Bearing temperature sensors Emergency rope	
ATEX	Standard	Zone 21 inside / ATEX free outside	
	Optional	Zone 21 inside / Zone 22 outside	
Optional accessories		Inlet module Outlet module with belt scraper Counterweight tensioning device Top covers and bottom plates for intermediate outlets Supporting legs	



Type	Conveying idlers	Belt width mm	A mm	B mm	C mm	D mm	E mm	F mm	H mm
RBC 500M	2 Roller 30°	500	660	410	1000	1150	250	910	486
RBC 650M	2 Roller 30°	650	800	435	1100	1300	250	910	523
RBC 800M	3 Roller 30°	800	940	460	1250	1350	300	910	560
RBC 1000M	3 Roller 30°	1000	1080	485	1350	1400	350	910	600

M*= The casing can be 500 mm, 1000 mm, 2000 mm or 3000 mm long